

**ADA**

**Americans with Disabilities Act**

# 2010 (Current) Standards for Accessible Design

## 28 CFR 35.151 New Construction and Alterations

- [\(a\) Design and construction \(includes the exception for structural impracticability\)](#)
- [\(b\) Alterations \(includes alterations in historic properties, path of travel, and primary function\)](#)
- [\(c\) Accessibility standards and compliance date](#)
- [\(d\) Scope of coverage](#)
- [\(e\) Social service center establishments](#)
- [\(f\) Housing at a place of education](#)
- [\(g\) Assembly areas](#)
- [\(h\) Medical care facilities](#)
- [\(i\) Curb ramps](#)
- [\(j\) Facilities with residential dwelling units for sale to individual owners](#)
- [\(k\) Detention and correctional facilities](#)

## 2004 ADAAG

- [Chapter 1: Application and Administration](#)
- [Chapter 2: Scoping Requirements](#)
- [Chapter 3: Building Blocks](#)
- [Chapter 4: Accessible Routes](#)
- [Chapter 5: General Site And Building Elements](#)
- [Chapter 6: Plumbing Elements And Facilities](#)
- [Chapter 7: Communication Elements And Features](#)
- [Chapter 8: Special Rooms, Spaces and Elements](#)
- [Chapter 9: Built-In Elements](#)
- [Chapter 10: Recreation Facilities](#)

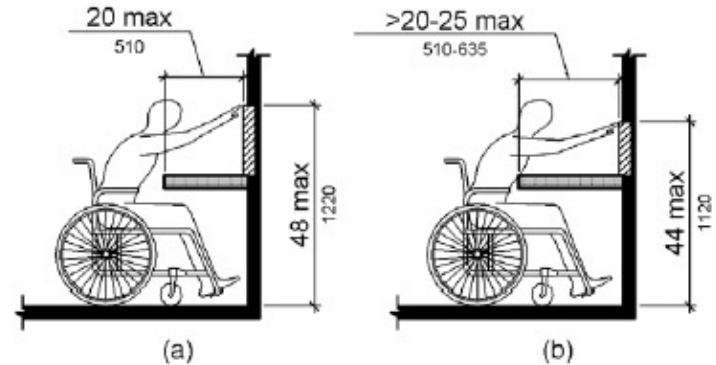
# 2010 (Current) Standards for Accessible Design

- <http://www.ada.gov/regs2010/2010ADAStandards/2010ADASTandards.htm>

# Using ADA Standards

## 1. CHAPTER 3: BUILDING BLOCKS

- 301 General
- 302 Floor and Ground Surfaces
- 303 Changes in Level
- 304 Turning Space
- 305 Clear Floor or Ground Space
- 306 Knee and Toe Clearances
- 307 Protruding Objects
- 308 Reach Ranges
- 309 Operable Parts



**Figure 308.2.2 Obstructed High Forward Reach**

2. **308.2.2 Obstructed High Reach.** Where a high forward reach is over an obstruction, the clear floor space shall extend beneath the element for a distance not less than the required reach depth over the obstruction. The high forward reach shall be 48 inches (1220 mm) maximum where the reach depth is 20 inches (510 mm) maximum. Where the reach depth exceeds 20 inches (510 mm), the high forward reach shall be 44 inches (1120 mm) maximum and the reach depth shall be 25 inches (635 mm) maximum.

# Universal Design

refers to broad-spectrum ideas meant to produce buildings, products and environments that are inherently accessible to older people, people without disabilities and people with disabilities

# The 7 Principles of Universal Design

1. **Equitable** – the design should be usable by people with diverse abilities and should appeal to all users.
2. **Flexible** – the design should cater for a wide range of individual preferences and abilities. This may mean some choice in methods of use (such as right or left handed access).
3. **Simple and intuitive** – use of the design should be easy to understand, regardless of experience, knowledge, language, skills, or current concentration level.
4. **Perceptible** – the design communicates necessary information effectively to the user, regardless of ambient information effectively to the user's sensory abilities.

# The 7 Principles of Universal Design

5. **Tolerable for error** – the design minimizes hazards and the adverse consequences of accidental or unintended actions.
6. **Low physical effort** – the design can be used efficiently and comfortably with a minimum of fatigue.
7. **Size and space for approach and use** – appropriate size and space is provided for approach, reach, manipulation and use, regardless of user's body size, posture or mobility.

# Design Criteria

- External Environment
- Entrances
- Horizontal Circulation
- Vertical Circulation
- Facilities
- Communication and Wayfinding
- Emergency Egress



# Works Cited

- McLeod, S. (2007). *Maslow's hierarchy of needs*. Retrieved from <http://www.simplypsychology.org/maslow.html>
- The United Nations, (2013). *The universal declaration of human rights*. Retrieved from UN Publications website: <http://www.un.org/en/documents/udhr/>
- (2009). *The American Heritage Dictionary of the English Language* (4th ed.). Boston, Massachusetts: Houghton Mifflin Company. doi:www.thefreedictionary.com/living
- Sawyer, A. (2004). *The access manual*. Oxford, UK: Blackwell Publishing Ltd.
- Department of Justice, (2010). *2010 ada standards for accessible design*. Retrieved from website: <http://www.ada.gov/regs2010/2010ADASTandards/2010ADASTandards.htm>